

# 【Work Instruction】 ULTIMA Green Wall Wire Rope : DIY kits

## Spiral Wire Rope Set × L angle

\* For wire lengths than 5m, we recommended installing L angle in the middle of the wire to prevent it from swaying.



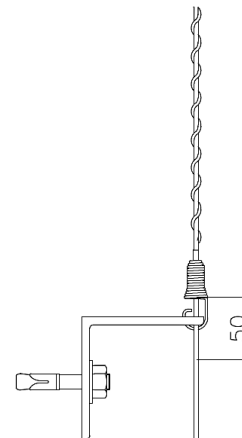
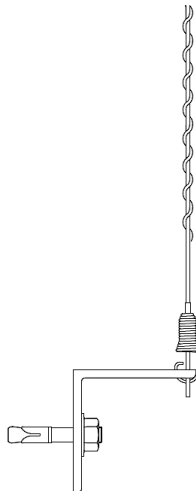
Approx. 5kg : spring is extended by 5 mm to 6mm

①  
Hook spring hook  
in L Angle hole

②、③  
Remove the external helix.  
Insert the wire rope through the pin into  
the gripper

④  
Hook spring hook  
with gripper  
in L Angle hole

⑤  
Wire rope is tensioned by  
pulling excess wire rope  
(pull approx. 5kg)

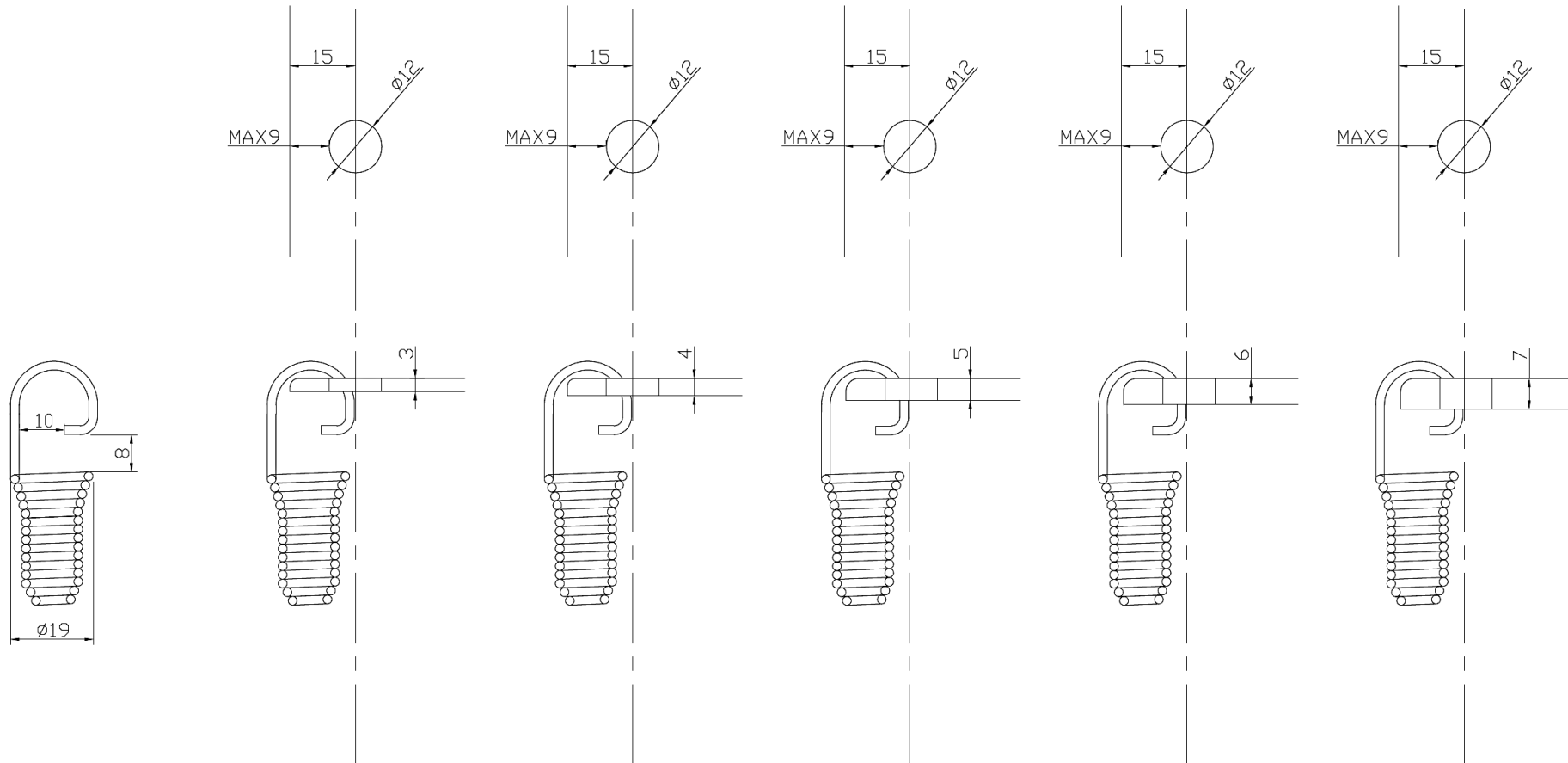


\*  
When applying tension, remove the external  
helix to the point where it is needed.  
Cut excess wire rope leaving about 50mm

Easy to tension the wire rope while lifting the spring gripper

# ULTIMA Green Wall Wire Rope : DIY kits

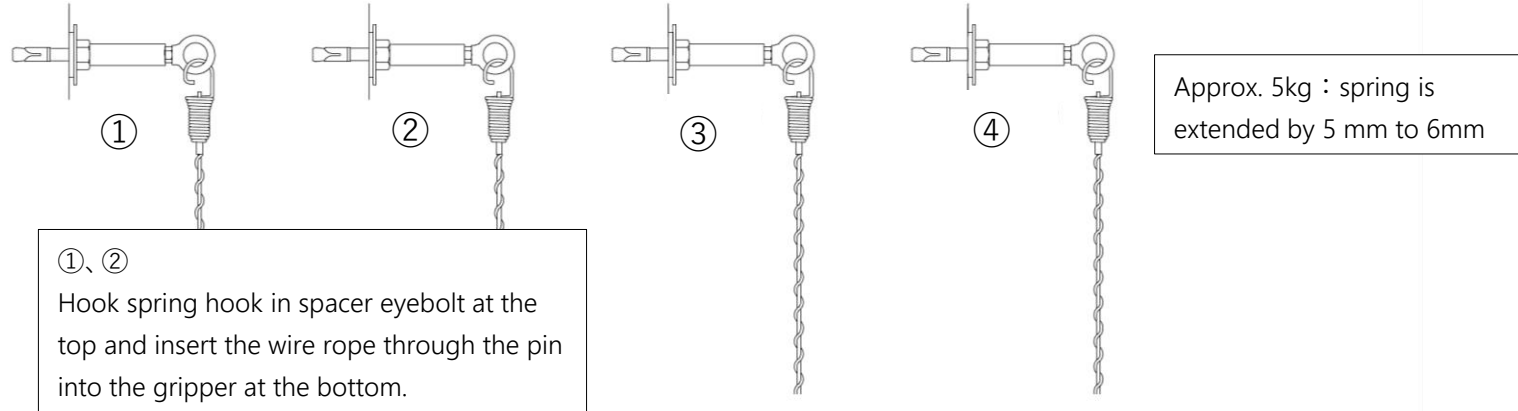
Important : L angle drilling dimensions and drilling positions



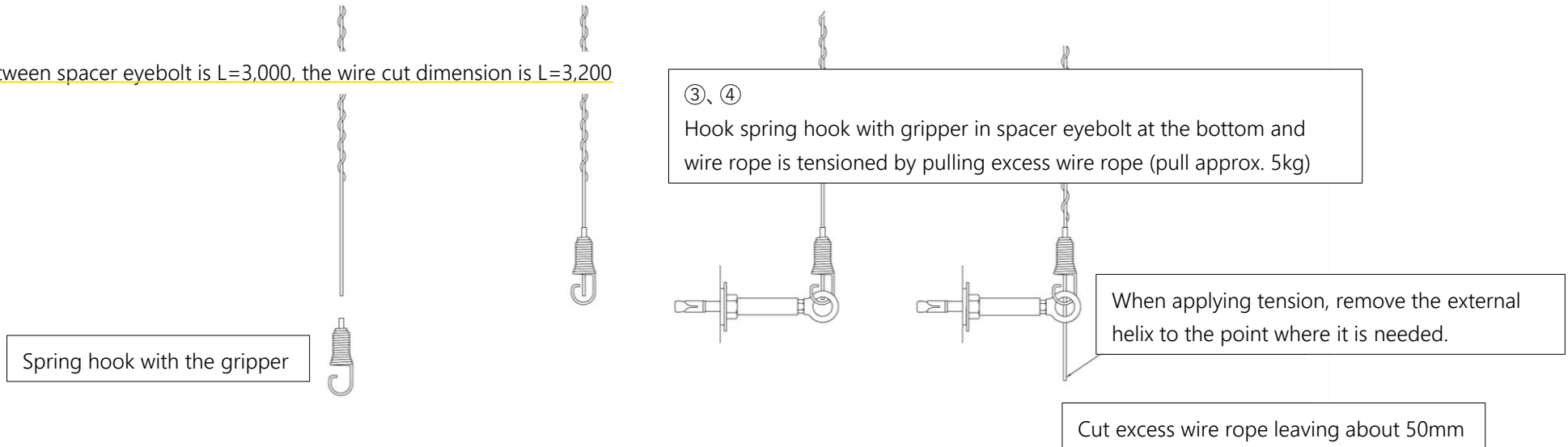
# 【Work Instruction】 ULTIMA Green Wall Wire Rope : DIY kits

## Spiral Wire Rope Set × Spacer Eyebolt

\* For wire lengths than 5m, we recommended installing eyebolts in the middle of the wire to prevent it from swaying.



Example: If the dimension between spacer eyebolt is  $L=3,000$ , the wire cut dimension is  $L=3,200$



Spring hook with the gripper

Easy to tension the wire rope while lifting the spring gripper